

# DAY 1

## GOD'S WONDERS

# MOSES LEAVES JETHRO'S HOUSE

---

### FOCUS

EXODUS 4:18

Refresh on the week 1 class and Moses' journey to Egypt from his home.

### MATERIALS

Moses leaves Midian coloring page (1 per child)

### ACTIVITY

## LEAVING HOME

**TALK:** Let's remind our Tiny Arrows about the God's Wonders week 1 class, and see how much they remembered. Then let's talk about how Moses had to obey God, and that meant he had to leave home. Moses traveled from Jethro's house all the way to Egypt to talk to Pharaoh.

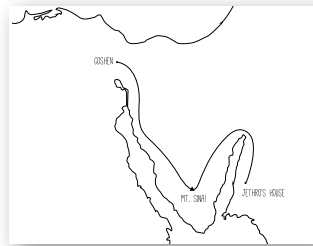
**ACTIVITY:** Color Moses leaves Midian coloring page and read Exodus 4:18.

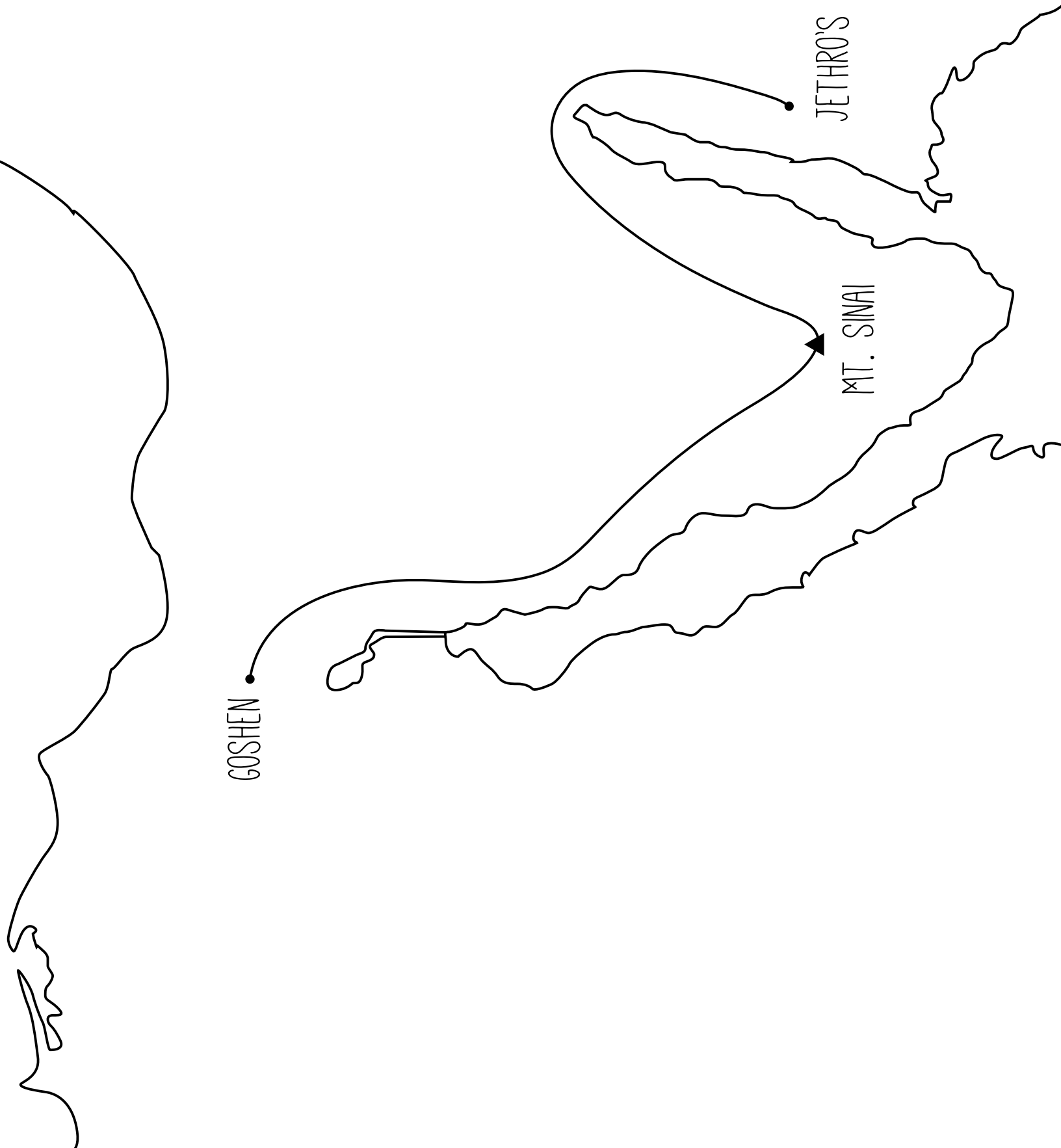
Some creative liberties were taken in making the map, since I could not find a good example.

### CORRESPONDING VERSE

THEN MOSES WENT BACK TO JETHRO HIS FATHER-IN-LAW AND SAID TO HIM, "LET ME RETURN TO MY OWN PEOPLE IN EGYPT TO SEE IF ANY OF THEM ARE STILL ALIVE."

EXODUS 4:18





GOSHEN

JETHRO'S HOUSE

MT. SINAI



# DAY 2

## GOD'S WONDERS

# ISRAELITE'S JOB

---

### FOCUS

EXODUS 17:11-14

What the Israelites did in Egypt.

### MATERIALS

2 cups baking soda

1 cup corn starch

1 1/2 cups cold water

### ACTIVITY

#### MAKING BRICKS

**TALK:** What was the Israelites job in Egypt? They had to make bricks to build store cities for Pharaoh.

**ACTIVITY:** Today let's pre-make our clay mixture and have the kiddos make a city or pyramid!

#### CLAY MIXTURE

##### INGREDIENTS

2 cups baking soda

1 cup corn starch

1 1/2 cups cold water

##### DIRECTIONS

1. Combine all ingredients in a large pot.
2. Place pot uncovered on medium-high heat and stir constantly.  
*It does not take long for the clay to form, but it must be stirred during the entire cooking process. Continue to stir the ingredients until you have the consistency of mashed potatoes.*
3. Remove the pot from the stove and spoon the dough-like mixture into a large bowl. Then place a damp cloth over the clay and allow it to cool for 20-30 minutes.
4. Once cool, remove the clay from the bowl and knead it with clean-dry hands.  
*If the clay is at all sticky add a bit of corn starch & knead it in.*

### CORRESPONDING VERSE

SO THEY PUT SLAVE MASTERS OVER THEM TO OPPRESS THEM WITH FORCED LABOR, AND THEY BUILT PITHOM AND RAMESES AS STORE CITIES FOR PHARAOH... THEY MADE THEIR LIVES BITTER WITH HARSH LABOR IN BRICK AND MORTAR AND WITH ALL KINDS OF WORK IN THE FIELDS; IN ALL THEIR HARSH LABOR THE EGYPTIANS WORKED THEM RUTHLESSLY.

EXODUS 17:11-14

# DAY 3

## GOD'S WONDERS

# PHARAOH!

---

### FOCUS

EXODUS 5:1-9

Pharaoh's reaction to Moses and Aaron asking him to let God's people go.

### MATERIALS

Pharaoh's hat coloring page (1 per child)

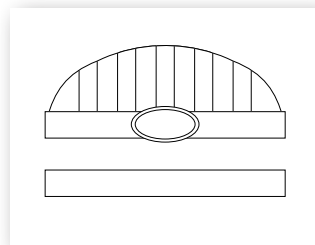
Crayons, scissors and glue

### ACTIVITY

#### MEET PHARAOH

**TALK:** When Moses and Aaron went to Pharaoh, how do you think he reacted when they asked him to let God's people go? Did he let them?

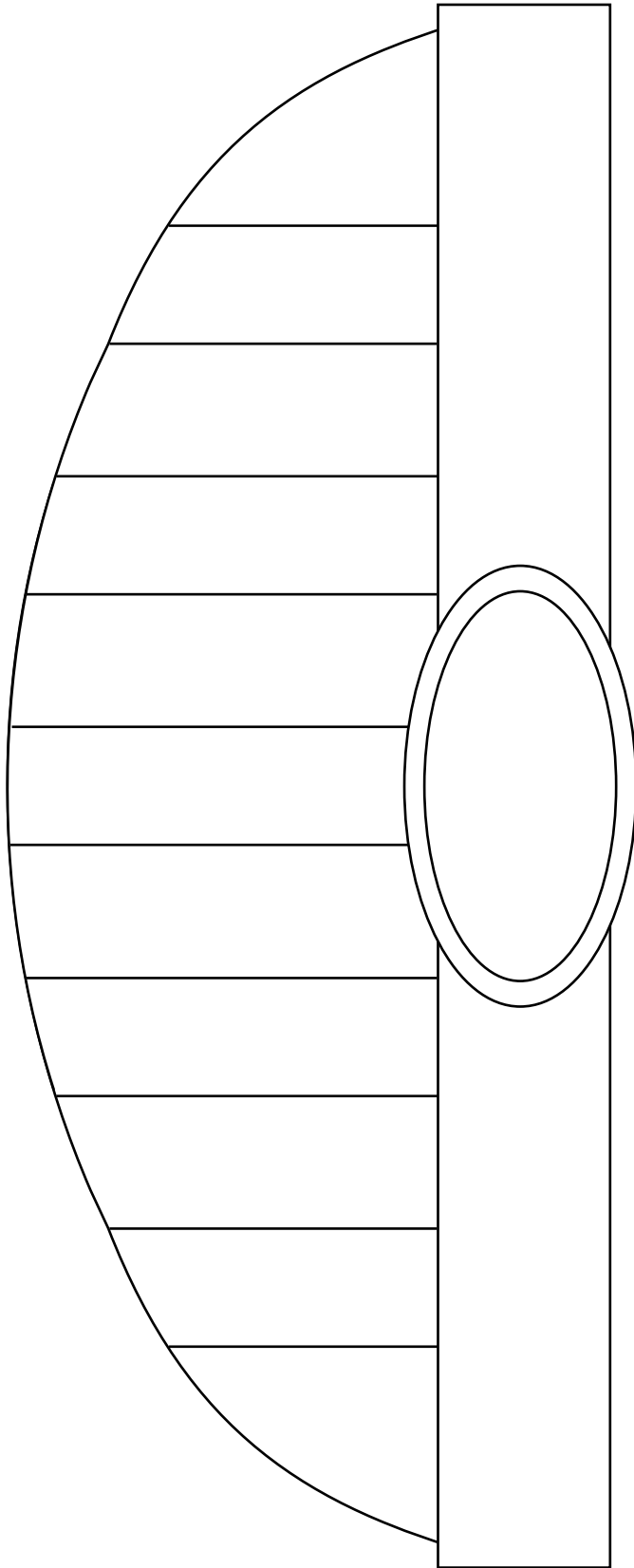
**ACTIVITY:** Cut, color and assemble the Pharaoh hat while reading Exodus 5:1-9. Then put the hat together and act out Moses and Aaron asking Pharaoh to let God's people go. Make sure they know Pharaoh's reaction.

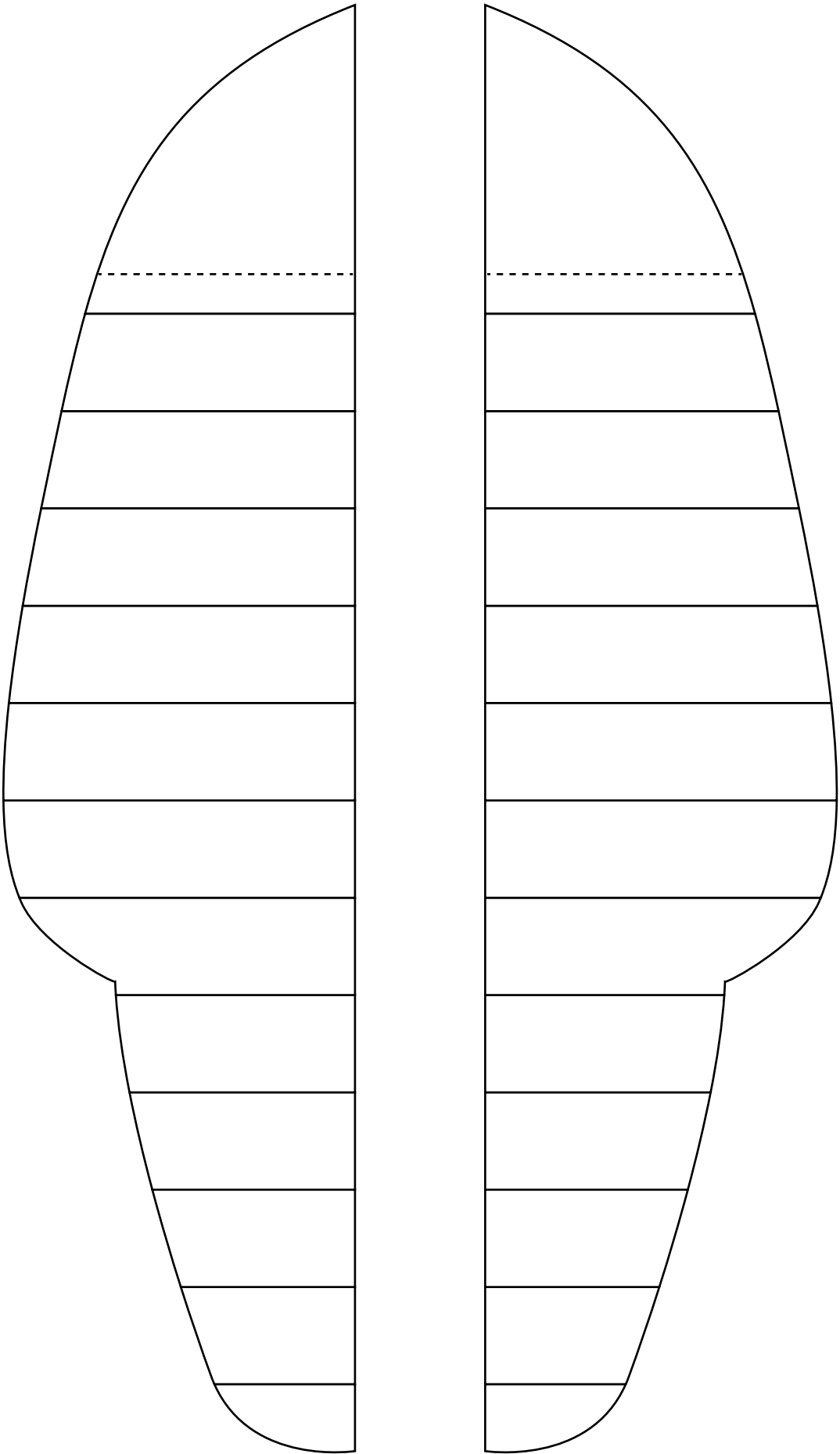


### CORRESPONDING VERSE

Afterward Moses and Aaron went to Pharaoh and said, "This is what the Lord, the God of Israel, says: 'Let my people go, so that they may hold a festival to me in the wilderness.'" Pharaoh said, "Who is the Lord, that I should obey him and let Israel go? I do not know the Lord and I will not let Israel go." Then they said, "The God of the Hebrews has met with us. Now let us take a three-day journey into the wilderness to offer sacrifices to the Lord our God, or he may strike us with plagues or with the sword." But the king of Egypt said, "Moses and Aaron, why are you taking the people away from their labor? Get back to your work!" 5Then Pharaoh said, "Look, the people of the land are now numerous, and you are stopping them from working." That same day Pharaoh gave this order to the slave drivers and overseers in charge of the people: "You are no longer to supply the people with straw for making bricks; let them go and gather their own straw. But require them to make the same number of bricks as before; don't reduce the quota. They are lazy; that is why they are crying out, 'Let us go and sacrifice to our God.' Make the work harder for the people so that they keep working and pay no attention to lies."

Exodus 5:1-9





# DAY 4

## GOD'S WONDERS

# NO STRAW!

---

### FOCUS

EXODUS 5:18

After Moses and Aaron left Pharaoh, he ordered the Israelites to work even harder!

### MATERIALS

2 cups baking soda  
1 cup corn starch  
1 1/2 cups cold water

### ACTIVITY

## WORK IS EVEN HARDER!

**TALK:** Pharaoh has made life even harder for the Israelites! Now they have to make bricks but they do not get the ingredients!

**ACTIVITY:** Put the ingredients to make the clay mixture in baggies and hide them in the house for your Tiny Arrow to find. Then make the mixture again and build another city or pyramid!

### CLAY MIXTURE

#### INGREDIENTS

2 cups baking soda  
1 cup corn starch  
1 1/2 cups cold water

#### DIRECTIONS

1. Combine all ingredients in a large pot.
2. Place pot uncovered on medium-high heat and stir constantly.  
*It does not take long for the clay to form, but it must be stirred during the entire cooking process. Continue to stir the ingredients until you have the consistency of mashed potatoes.*
3. Remove the pot from the stove and spoon the dough-like mixture into a large bowl. Then place a damp cloth over the clay and allow it to cool for 20-30 minutes.
4. Once cool, remove the clay from the bowl and knead it with clean-dry hands.  
*If the clay is at all sticky add a bit of corn starch & knead it in.*

### CORRESPONDING VERSE

PHARAOH SAID, "LAZY, THAT'S WHAT YOU ARE—LAZY! THAT IS WHY YOU KEEP SAYING, 'LET US GO AND SACRIFICE TO THE LORD.' NOW GET TO WORK. YOU WILL NOT BE GIVEN ANY STRAW, YET YOU MUST PRODUCE YOUR FULL QUOTA OF BRICKS."

EXODUS 5:18