

DAY 1

POWER

PHILISTINES AFRAID

FOCUS

Battle with the Philistines.

MATERIALS

ACTIVITY

EGYPT

TALK: The Israelites and Philistines went to war and after the Israelites lost the first battle, they decided to bring the Ark of the Covenant with them to the next battle! The Philistines were afraid! They remembered what the Israelite God had done to Egypt!

ACTIVITY: Today ask your Tiny Arrow if they can remember what God did to Egypt with Moses!

CORRESPONDING VERSE

DAY 2

POWER

THE LORD VS. DAGON

FOCUS

The Ark of the Covenant was taken to Dagon's temple!

MATERIALS

The Lord vs. Dagon coloring page (1 per child)
Crayons

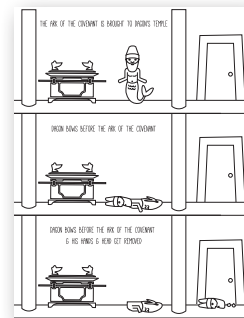
ACTIVITY

ARK STOLEN

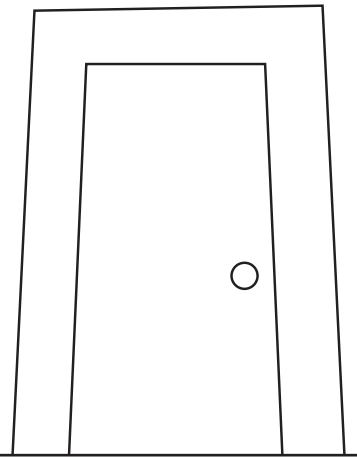
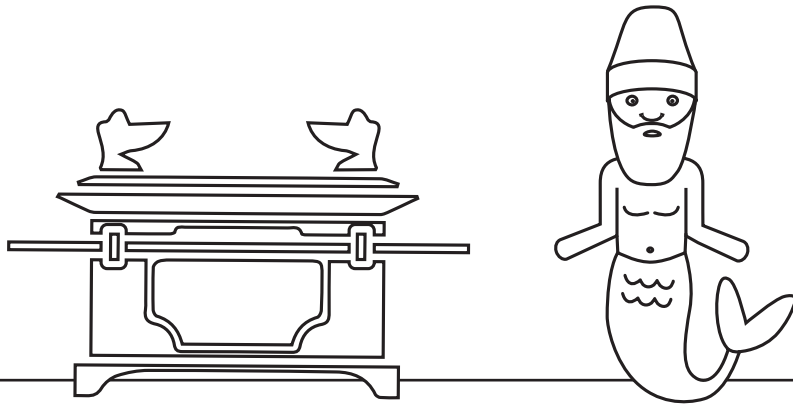
TALK: The Ark of the Covenant was stolen by the Philistines and taken to their god's temple! After the Philistines put the Ark next to their god Dagon, they left them alone. In the morning when they went to the temple, Dagon was flat on his face before the Ark! The next morning his head and hands were by the entrance to the temple while his body was bowing down before the Ark!

ACTIVITY: Today let's go over the Lord vs Dagon and color the coloring page!

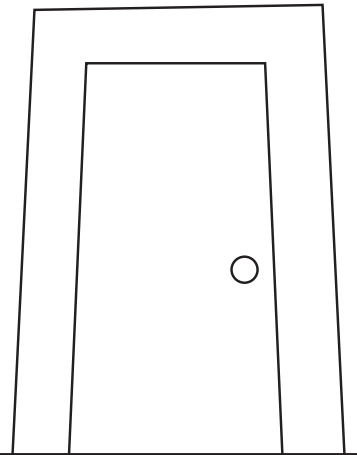
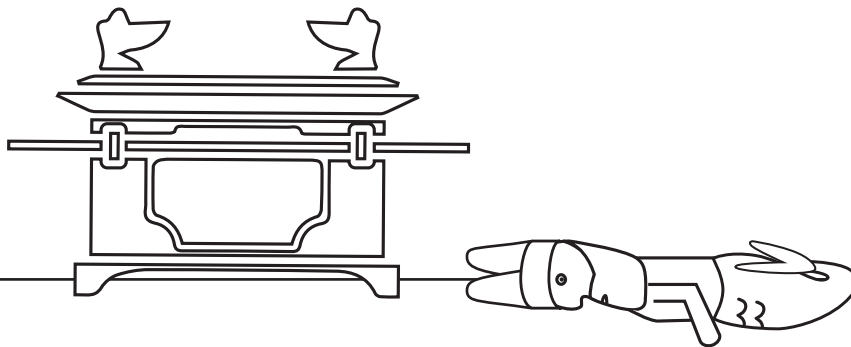
CORRESPONDING VERSE



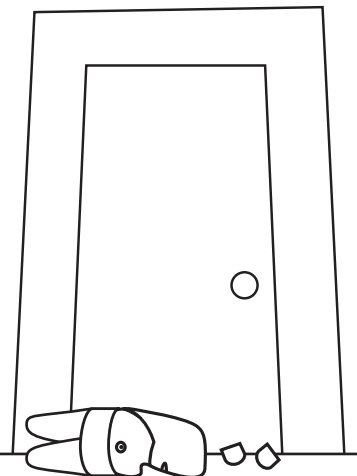
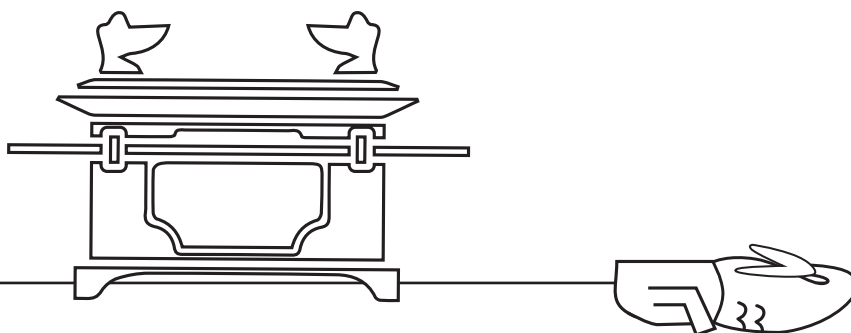
THE ARK OF THE COVENANT IS BROUGHT TO DAGON'S TEMPLE



DAGON BOWS BEFORE THE ARK OF THE COVENANT



DAGON BOWS BEFORE THE ARK OF THE COVENANT
& HIS HANDS & HEAD GET REMOVED



DAY 3

POWER

THE LORD VS. DAGON REMAKE

FOCUS

The Ark of the Covenant defeated Dagon's statue!

MATERIALS

Play-doh

ACTIVITY

READ

TALK: Let's go over the story again about the Lord vs Dagon! The Ark of the Covenant was stolen by the Philistines and taken to their god's temple! After the Philistines put the Ark next to their god Dagon, they left them alone. In the morning when they went to the temple, Dagon was flat on his face before the Ark! The next morning his head and hands were by the entrance to the temple while his body was bowing down before the Ark!

ACTIVITY: Today let's play with play-doh! Make an Ark and Dagon statue. Place them next to each other, then place the Dagon figure on its face before the Ark! Then take off Dagon's head and hands and place them away from his body and his body before the Ark!

CORRESPONDING VERSE

DAY 4

POWER

GIVE IT BACK

FOCUS

The Philistines gave the Ark back to the Israelites.

MATERIALS

ACTIVITY

GOIN' HOME

TALK: The Philistines did not want to keep the Ark! Everywhere it went there were plagues, rats and itchy butts! So the Philistines decided to take the Ark back to Israel!

ACTIVITY: Today let's worship and praise the Lord for beating the Philistines and bringing the Ark back to Israel!

CORRESPONDING VERSE