

DAY 1

BLOOD

THE FIRST PLAGUE

FOCUS

The first Egyptian plague.

MATERIALS

Bible

ACTIVITY

CORRESPONDING VERSE

GO TO THE NILE

TALK: We learned that the first and last plagues of Egypt had blood in them!

ACTIVITY: Today let's read Exodus 7:14-24 below and learn about the first plague!

Then the Lord said to Moses, "Pharaoh's heart is unyielding; he refuses to let the people go. Go to Pharaoh in the morning as he goes out to the river. Confront him on the bank of the Nile, and take in your hand the staff that was changed into a snake. Then say to him, 'The Lord, the God of the Hebrews, has sent me to say to you: Let my people go, so that they may worship me in the wilderness. But until now you have not listened. This is what the Lord says: By this you will know that I am the Lord: With the staff that is in my hand I will strike the water of the Nile, and it will be changed into blood. The fish in the Nile will die, and the river will stink; the Egyptians will not be able to drink its water.' "

The Lord said to Moses, "Tell Aaron, 'Take your staff and stretch out your hand over the waters of Egypt—over the streams and canals, over the ponds and all the reservoirs—and they will turn to blood.' Blood will be everywhere in Egypt, even in vessels a of wood and stone."

Moses and Aaron did just as the Lord had commanded. He raised his staff in the presence of Pharaoh and his officials and struck the water of the Nile, and all the water was changed into blood. The fish in the Nile died, and the river smelled so bad that the Egyptians could not drink its water. Blood was everywhere in Egypt.

But the Egyptian magicians did the same things by their secret arts, and Pharaoh's heart became hard; he would not listen to Moses and Aaron, just as the Lord had said. Instead, he turned and went into his palace, and did not take even this to heart. And all the Egyptians dug along the Nile to get drinking water, because they could not drink the water of the river.

DAY 2

BLOOD

RED EVERYWHERE

FOCUS

When Moses struck his staff in the Nile, the water turned to blood!

MATERIALS

Moses and Aaron by the Nile coloring page
Crayons

ACTIVITY

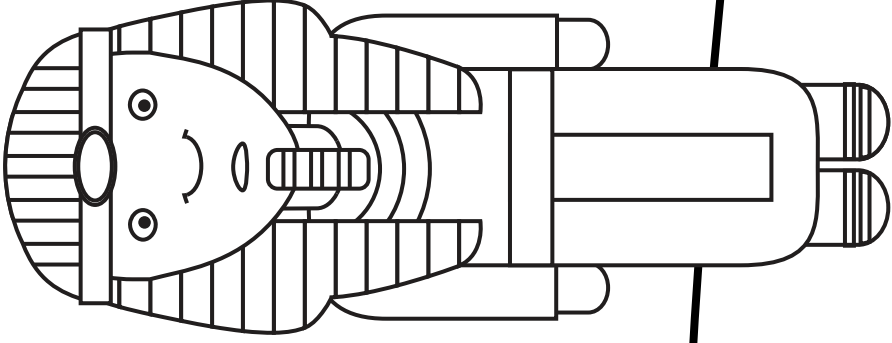
WATERS TURNING RED

TALK: Yesterday we read about the first plague, the waters all turning to blood!

ACTIVITY: Today let's color the coloring page and color the water red!

CORRESPONDING VERSE

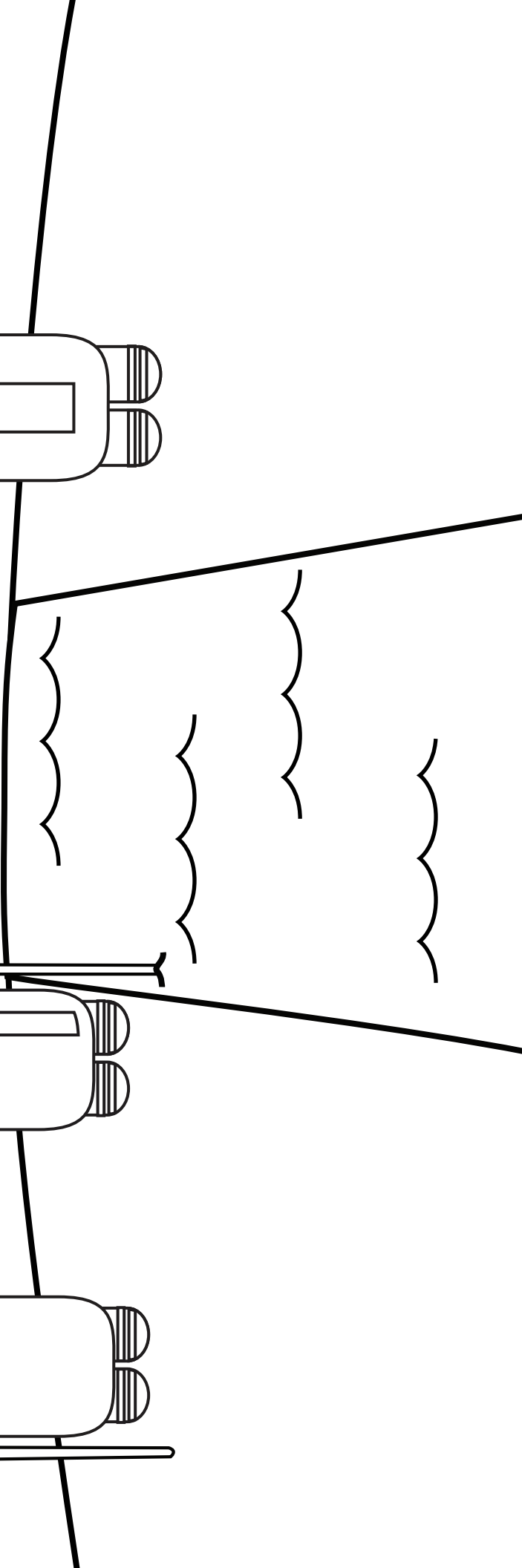
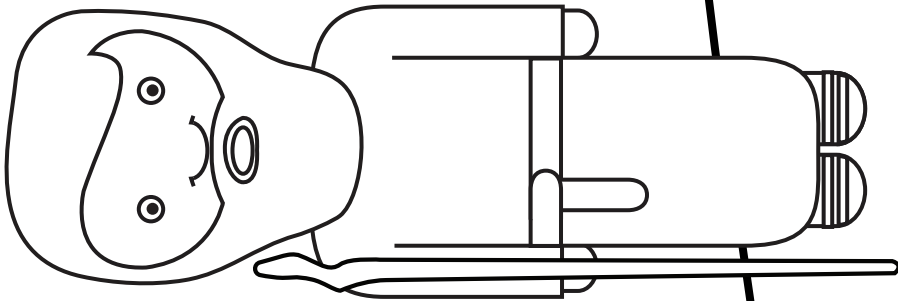
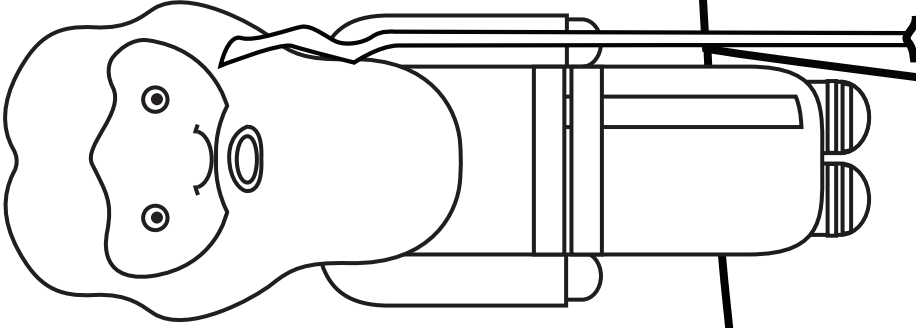




LET MY PEOPLE GO!

NO!

THEN THE WATERS WILL BE TURNED TO BLOOD!



DAY 3

BLOOD

LAST PLAGUE

FOCUS

The last Egyptian plague.

MATERIALS

Bible

ACTIVITY

CORRESPONDING VERSE

PASSOVER

TALK: The last plague in Egypt was the death of the firstborn where the Israelites put the blood of the lamb on their doorframes to be safe!

ACTIVITY: Today let's read Exodus 12:3-13 below and learn about the first Passover!

Tell the whole community of Israel that on the tenth day of this month each man is to take a lamb a for his family, one for each household. If any household is too small for a whole lamb, they must share one with their nearest neighbor, having taken into account the number of people there are. You are to determine the amount of lamb needed in accordance with what each person will eat. The animals you choose must be year-old males without defect, and you may take them from the sheep or the goats. Take care of them until the fourteenth day of the month, when all the members of the community of Israel must slaughter them at twilight. Then they are to take some of the blood and put it on the sides and tops of the doorframes of the houses where they eat the lambs. That same night they are to eat the meat roasted over the fire, along with bitter herbs, and bread made without yeast. Do not eat the meat raw or boiled in water, but roast it over a fire—with the head, legs and internal organs. Do not leave any of it till morning; if some is left till morning, you must burn it. This is how you are to eat it: with your cloak tucked into your belt, your sandals on your feet and your staff in your hand. Eat it in haste; it is the Lord's Passover.

"On that same night I will pass through Egypt and strike down every firstborn of both people and animals, and I will bring judgment on all the gods of Egypt. I am the Lord. The blood will be a sign for you on the houses where you are, and when I see the blood, I will pass over you. No destructive plague will touch you when I strike Egypt.

DAY 4

BLOOD

BEING PASSED OVER

FOCUS

The Israelites were saved by the blood of the lamb!

MATERIALS

Doorframe maze coloring page
Crayons

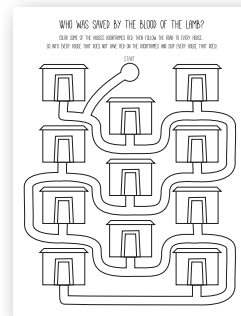
ACTIVITY

BLOOD OF THE LAMB

TALK: The Israelites who obeyed God and put the blood of the lamb on their doorframes were safe, and any that did not had someone in their family die!

ACTIVITY: Today let's put red on some of the doorframes and do the maze of who is spared and who isn't!

CORRESPONDING VERSE



WHO WAS SAVED BY THE BLOOD OF THE LAMB?

COLOR SOME OF THE HOUSES DOORFRAMES RED, THEN FOLLOW THE ROAD TO EVERY HOUSE.
GO INTO EVERY HOUSE THAT DOES NOT HAVE RED ON THE DOORFRAMES AND SKIP EVERY HOUSE THAT DOES!

START

