

DAY 1

THE TEMPLE

BUILDING A TEMPLE

FOCUS

David asked God if he could build him a house, but God wanted David's son Solomon to do it instead!

MATERIALS

Materials to make something

ACTIVITY

SOLOMON'S JOB

TALK: We learned that Solomon was meant to build the temple for God! David had asked God if he could do it, but God said his son Solomon was meant to do it!

ACTIVITY: Today let's read 1 Chronicles 28:6 and ask your Tiny Arrow to make or build something. Help provide the materials and directions of how to do it, but have them do something all on their own. They could make a picture, build a small fort or even make a snack!

CORRESPONDING VERSE

HE SAID TO ME: 'SOLOMON YOUR SON IS THE ONE WHO WILL BUILD MY HOUSE'

1 CHRONICLES 28:6

DAY 2

THE TEMPLE

A PLAN

FOCUS

Solomon knew how to make the temple! He had blueprints!

MATERIALS

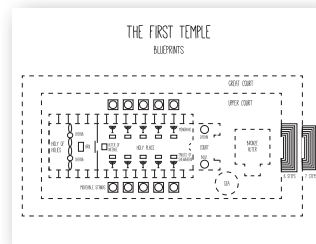
First Temple Blueprints coloring page (1 per child)
Crayons

ACTIVITY

BLUEPRINTS

TALK: Solomon was getting ready to make the temple, but he had to know what went where! He needed blueprints!

ACTIVITY: Today let's read 1 Chronicles 28:11 and trace the plans that David gave Solomon and point out where everything was suppose to go!



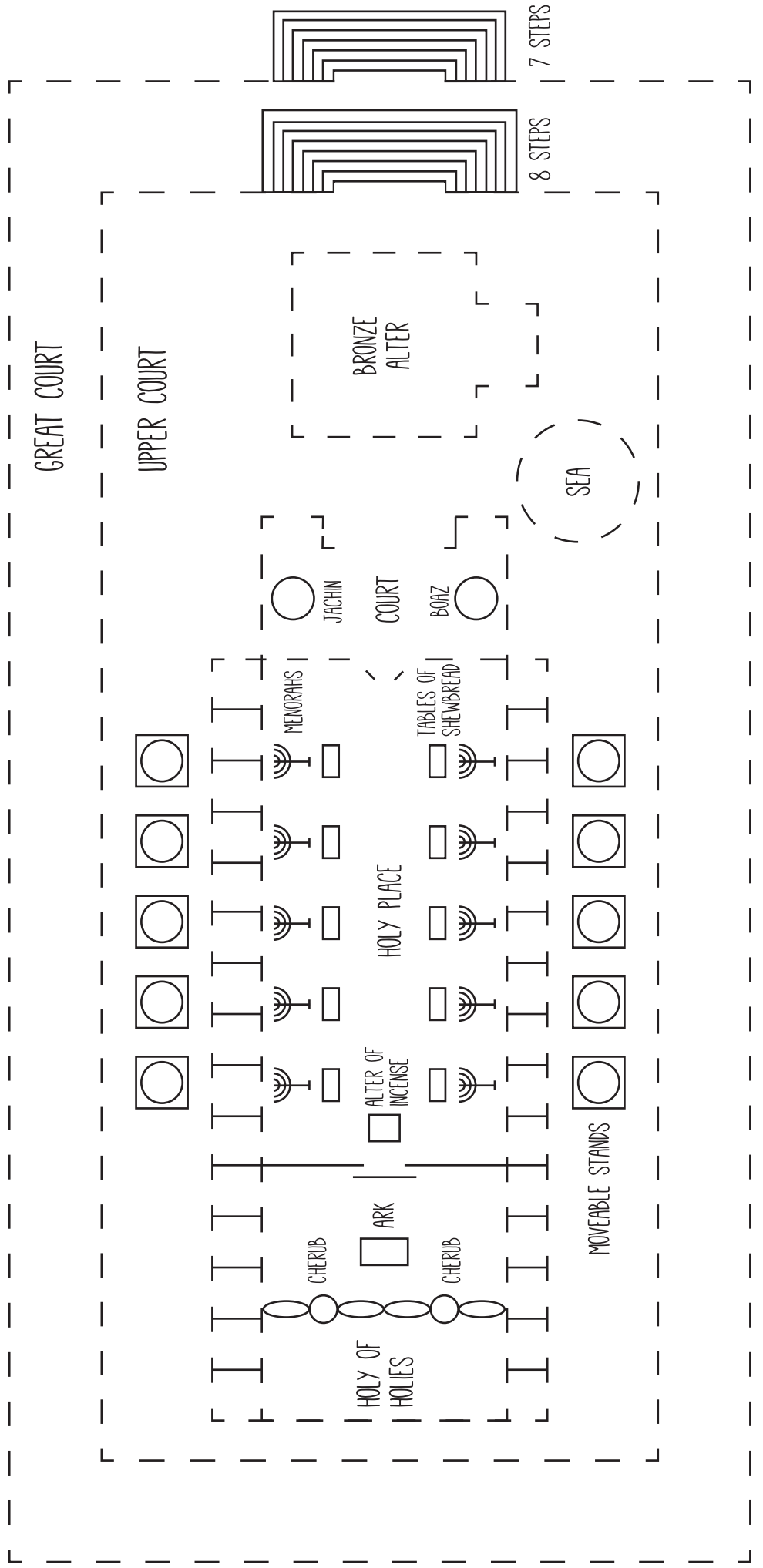
CORRESPONDING VERSE

THEN DAVID GAVE HIS SON SOLOMON THE PLANS FOR THE PORTICO OF THE TEMPLE, ITS BUILDINGS, ITS STOREROOMS, ITS UPPER PARTS, ITS INNER ROOMS AND THE PLACE OF ATONEMENT.

1 CHRONICLES 28:11

THE FIRST TEMPLE

BLUEPRINTS



DAY 3

THE TEMPLE

WHATS NEEDED

FOCUS

Solomon needed materials to build the temple!

MATERIALS

Something made out of stone or a rock

Something made out of wood or a stick

Something gold/yellow

ACTIVITY

STONES, WOOD & GOLD

TALK: Solomon had the plans to build the temple, but now he needed the materials!

ACTIVITY: Today let's read 1 Kings 5:8-9, 1 Kings 6:7 and 2 Chronicles 4:19-20. Then go outside or around your house and have your Tiny Arrow find something made out of stone (or a rock), something made out of wood (or a stick) and something made out of gold (or something yellow)! Explain that he used stones, wood and gold to help him build the temple!

CORRESPONDING VERSE

PROVIDING THE CEDAR AND JUNIPER LOGS. MY MEN WILL HAUL THEM DOWN FROM LEBANON TO THE MEDITERRANEAN SEA, AND I WILL FLOAT THEM AS RAFTS BY SEA TO THE PLACE YOU SPECIFY.

1 KINGS 5:8-9

IN BUILDING THE TEMPLE, ONLY BLOCKS DRESSED AT THE QUARRY WERE USED, AND NO HAMMER, CHISEL OR ANY OTHER IRON TOOL WAS HEARD AT THE TEMPLE SITE WHILE IT WAS BEING BUILT.

1 KINGS 6:7

SOLOMON ALSO MADE ALL THE FURNISHINGS THAT WERE IN GOD'S TEMPLE: THE GOLDEN ALTER; THE TABLES ON WHICH WAS THE BREAD OF THE PRESENCE; THE LAMPSTANDS OF PURE GOLD.

2 CHRONICLES 4:19-20

DAY 4

THE TEMPLE

BURNT DOWN

FOCUS

The temple was destroyed by King Nebuchadnezzar, but it would be rebuilt!

MATERIALS

Bible

ACTIVITY

WILL BE REBUILT

TALK: The temple was finished! It had lasted hundreds of years, until one day when King Nebuchadnezzar's men burnt it down! Oh no!

ACTIVITY: Today let's read 2 Chronicles 36:15-23 (below) and talk about the fall of Jerusalem, but how God had a plan to make a new temple!

The Lord, the God of their ancestors, sent word to them through his messengers again and again, because he had pity on his people and on his dwelling place. 16 But they mocked God's messengers, despised his words and scoffed at his prophets until the wrath of the Lord was aroused against his people and there was no remedy. He brought up against them the king of the Babylonians, who killed their young men with the sword in the sanctuary, and did not spare young men or young women, the elderly or the infirm. God gave them all into the hands of Nebuchadnezzar. He carried to Babylon all the articles from the temple of God, both large and small, and the treasures of the Lord's temple and the treasures of the king and his officials. They set fire to God's temple and broke down the wall of Jerusalem; they burned all the palaces and destroyed everything of value there.

He carried into exile to Babylon the remnant, who escaped from the sword, and they became servants to him and his successors until the kingdom of Persia came to power. The land enjoyed its sabbath rests; all the time of its desolation it rested, until the seventy years were completed in fulfillment of the word of the Lord spoken by Jeremiah.

In the first year of Cyrus king of Persia, in order to fulfill the word of the Lord spoken by Jeremiah, the Lord moved the heart of Cyrus king of Persia to make a proclamation throughout his realm and also to put it in writing:

"This is what Cyrus king of Persia says:

"The Lord, the God of heaven, has given me all the kingdoms of the earth and he has appointed me to build a temple for him at Jerusalem in Judah. Any of his people among you may go up, and may the Lord their God be with them